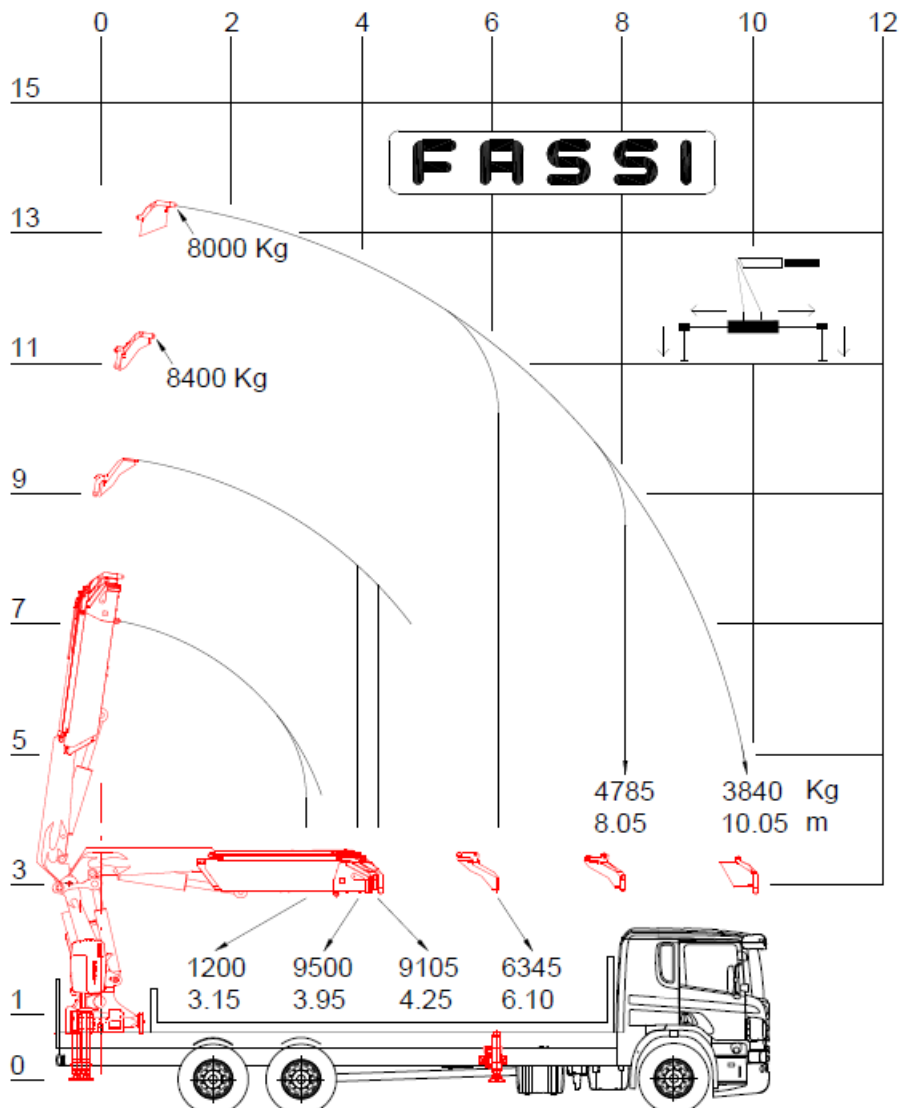


TRUCK	Scania G420
BODY	6x2 Rigid
PAYLOAD	8,500 Kgs
CRANE	Fassi F420BXP.23
MAX LOAD-RADIUS	3.84 t – 10 m
STABILISER SPREAD	7210 mm
CRANE WEIGHT	4330 Kgs
MAT SIZE	500 x 500 mm



SCANIA G420 6x2 FASSI F420BXP.23



SCANIA G420 6x2 FASSI F420BXP.23

