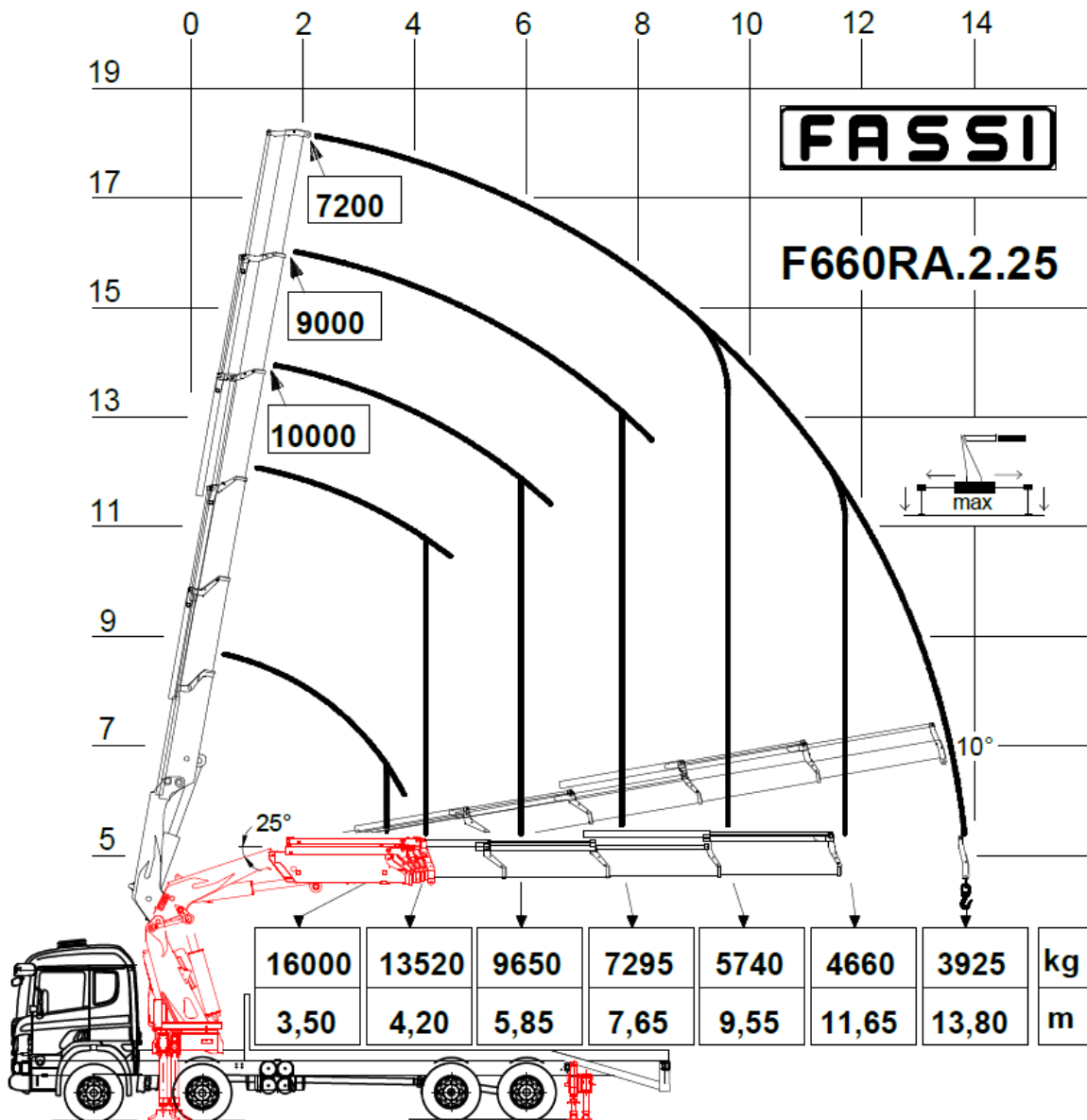


<b>TRUCK</b>	Scania P400
<b>BODY</b>	8x2 Rigid
<b>PAYLOAD</b>	9,250 Kgs
<b>CRANE</b>	FASSI F660RA.2.25
<b>MAX LOAD-RADIUS</b>	3.925 t – 13.8 m
<b>STABILISER SPREAD</b>	8290 mm
<b>CRANE WEIGHT</b>	6110 Kg
<b>MAT SIZE</b>	600 x 600 mm



## SCANIA P400 8x2 FASSI F660RA.2.25

