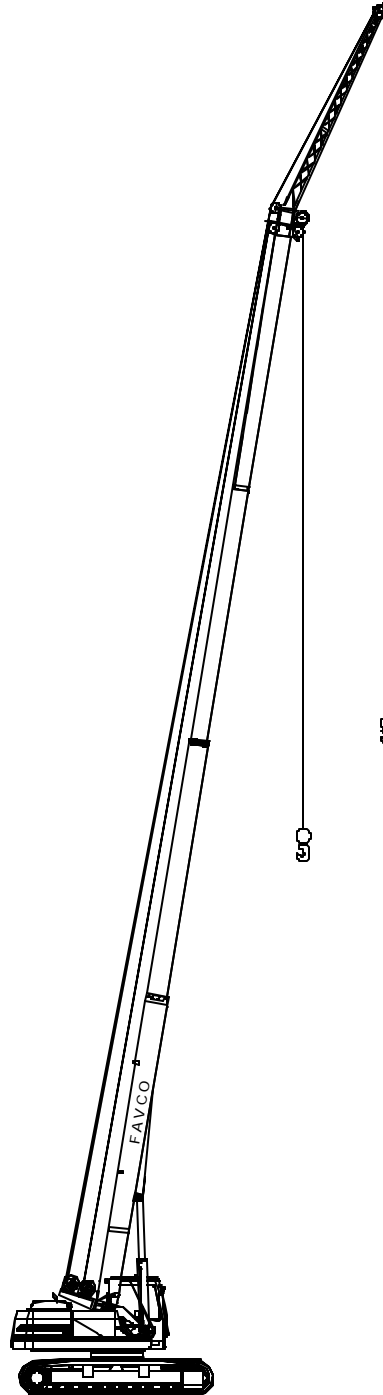


FAVCO 30T SPECIFICATIONS

**FAVCO
30T**
30 Ton (28MT)
Hydraulic
Boom
Crawler
Crane

FAVCO 30T
*is based on a
Caterpillar Power
Module
incorporating a 320
Excavator Upper
and Lower.*

powered by



STANDARD EQUIPMENT

BOOM

28 ft. – 92 ft. (8.53m – 28.04m), 4 section telescoping type extended and retracted proportionally by double-acting hydraulic cylinder and cable crowd system.
Maximum Tip Height : 98 ft. (29.87m)

Boom Point

Two high-density nylon sheaves mounted with heavy-duty roller bearings. Two removable pin-type rope guards.

Boom Elevation

Double-acting hydraulic cylinder. Operating range from 9° below to 80° above horizontal. Working range from 0° to 80° is achievable in 50 seconds at maximum operating speeds.

Wire Rope

Manufacturer's approved 9/16 in. (14mm) diameter, 328 ft (100m) rotation resisting wire rope, with minimum breaking strength of 41,446 lbs (18,800 kg).

Overhaul Ball & Hook

7.5 ton (7,000 kg)) overhaul ball with heavy duty hook

MAIN HOIST SPECIFICATIONS

Planetary winch system powered by a high efficiency 2-speed motor of smooth service: anti-friction bearings, fully automatic, spring applied, hydraulically released safety brake.

Maximum single line speed

Bottom Layer 229 FPM (70 m/min)
Top Layer 305 FPM (93 m/min)

[High speed]

Bottom Layer 319 FPM (97 m/min)
Top Layer 426 FPM (130 m/min)

Maximum single line winch pull

Bottom Layer 10,560 lbs (4,800 kg)
Top Layer 8,500 lbs (3,864 kg)

Maximum permissible line pull

9/16 in (14mm) rotation resistant 8,289 lbs (3,760 kg)
9/16 in (14mm) 6 x 25 EIPS IWRC 8,500 lbs (3,864 kg)

Maximum cable storage capacity

9/16 in. (14mm) 480 ft (145 m)

SWING

360° continuous rotation, hydrostatic independent planetary reduction. Mechanism driven by a pinion gear sealed in a grease bath.

Heavy-duty swing bearing
Maximum speed: 3.0 rpm

HYDRAULIC SYSTEM

Caterpillar's hydraulic cross-sensing system consisting of two variable displacement, axial-piston pumps for all cranes and travel functions. A single section, gear type pump powers the pilot circuit. Main pumps are electronically controlled and dependent on engine speed. Power modes match hydraulic output to the crane application requirements

- 95% of the engine horsepower is deliverable as hydraulic power.
- CAT's XT hoses and O-ring face seal couplings are used throughout.

Combined capacity 97.8 GPM (370 LPM)

Maximum capacity operating pressure:

Travel 4,975 psi (350 bar)

Implements 4,550 psi (320 bar)

Reservoir 2 x 36 gallon (2 x 136 liters)

Valves

Caterpillar 320 Standard 8 bank valve block. Strategically located sample ports for oil and pressure checks.

Controls

Joystick (pilot-operated, adjustable) for swing, boom elevation, main and auxiliary hoists. Foot pedal for boom telescope and travel. Tracks extend and retract is controlled by Push button on the joysticks. Straight travel controls provided as standard.

ENGINE

Automatic engine control and electronic power unit control with back-up system.

Caterpillar 3066T, 6.4L six cylinder, water-cooled, turbo-charged, diesel. 128hp (96 kW) @ 1800 rpm.

Fuel Tank Capacity 82 gallons (310 liters)

CAB

Quiet Caterpillar work station with ergonomic control placement and convenient adjustments, low lever and pedal effort, ergonomic seat design and highly efficient ventilation. Excellent viewing area through large, wide windows and a large push-open skylight provides upward visibility.

The operators cabin meets the following ISO standards: ISO 5006; 3411; 2867; 10263; 6682; 7096

Cab includes:

Air conditioning with automatic climate control

AM/FM Radio with cassette player

Cigarette lighter & Ash tray

Coat hook

Compartments: Literature, Storage (lunchbox), Small tray on console

Drink holder

Floor mat

Handrails

Heater with defroster

Horn, signaling/warning

Hydraulic starter systems lock lever

Instrument panel with LCD gauges

Lights, Interior

Joysticks, pilot-operated, adjustable

Seat belt, retractable

Seat, four-way adjustable suspension with arm rests

Travel controls, pedals with removable levers

Ventilation, positive-filtered

Windows:

Windshield, upper retractable, laminated safety glass
 Windshield, lower removable, clear tempered safety glass
 Cab door window, sliding clear, tempered safety glass
 All other windows are tempered safety glass

LOAD MOMENT INDICATOR

LMI and anti-two block system, providing an electronic display of boom angle, length, radius, tip height, actual load and rated capacity. Audible and visual alarms. Hydraulic control lockout and function cut-off. Data logging. LMI monitors all stationary and pick and carry charts.

UNDERCARRIAGE

Caterpillar designed and built, hydraulically activated, variable gauge frame. Welded pentagonal track roller frames and hydraulic adjusters. Sealed and lubricated rollers and idlers. Sealed track with 32 in (800mm) triple-grouser shoes.

Crawler Drive System

Hand or foot actuated travel controls. Fully hydrostatic system. Each track is driven by one independent automatic shifting, two-speed axial piston motor via integral planetary final drives.

Maximum Speed	2.4 mph (3.86 km/h)
Ground Bearing Pressure	6.4 psi (0.45 kg/cm ²)
Maximum gradeability	30% at 2.4mph (3.86 km/h)

Gross Vehicle Weight

	<i>Lbs</i>	<i>Kg</i>
Basic Unit (with full counterweights)	66,660	30,240
Offset Jib	680	308
Telescopic Jib	1,300	590
Auxiliary Boom Nose	181	82
Auxiliary Hoist	275	125
Rear Counterweights	(11,575)	(5,250)

Other Standard Equipment

Alternator, 50 amp
 Hydraulic tank, additional
 Lights, working; frame mounted
 Locks, door and cab, one-key system
 Mirrors: Right-side and Cab
 Power mode selector, with memory function
 Steps
 Straight travel circuit
 Tow eyes
 Track guiding guards, center
 Travel, two-speed with automatic shift
 Safety Platform (Operator Cab)

OPTIONAL EQUIPMENT

Main Load Block

Various manufacturers recommended load blocks with heavy duty hook up to full load capacity.

Auxiliary Hoist (Non-Freefall)

With manufacturer's approved 9/16 in. (14mm) diameter, 328 ft (100m) rotation resisting wire rope.

Maximum single line speed

Bottom Layer	231 FPM (70 m/min)
Top Layer	308 FPM (94 m/min)

[High Speed]

Bottom Layer	321 FPM (98 m/min)
Top Layer	428 FPM (130 m/min)

Maximum single line winch pull with 9/16in. (14 mm)

Bottom Layer	10,560lbs (4,800 kg)
Top Layer	7,910 lbs (3,595 kg)

Maximum cable storage capacity

9/16 in. (14 mm) 480 ft (145 m)

Main Hoist (Controlled Freefall)

Planetary winch system with bottom layer maximum single line pull of 10,560 lbs (4,800 kg) and controlled freefall in lieu of standard non-freefall unit.

Auxiliary Hoist (Controlled Freefall)

2nd planetary winch system with bottom layer maximum single line pull of 10,560 lbs (4,800 kg) and controlled freefall in lieu of standard non-freefall unit.

Extension

20 ft. (6.1 m) jib (tubular construction) with 0°, 15° and 30° offset stows alongside main boom.
 Two-stage boom extension, 26 ft. – 46 ft. (7.9m – 14m), non-offsettable.

Auxiliary Boom Nose

Detachable Auxiliary Boom Nose of steel construction with one nylon sheave grooved for 9/16 in. (14 mm) wire rope.

Wire Rope

Manufacturer's approved 9/16 in. (14 mm) 6 x 25 EIPS IWRC, 5/8 in. (16 mm) diameter rotation resistant or 5/8 in. (16 mm) 6 x 25 EIPS IWRC wire rope available upon request.

Safety Walkway Package (with Safety Backrail)

Safety walkways of steel frame and high strength non-slip plastic alloy 2 ft (0.6m) wide extended from operator's cabin to end of crane. Walkways swing up into locking position for shipment.

Falling Object Guard (FOG)

Bolt-on Falling Object Guard is a reinforced steel covering for top of operator's cabin, designed to protect the operator from falling objects.

Wireless ATB Sensor

Boom length and ATB sensing assembly in lieu of standard recoil drum and line assembly, mounted on first boom power section with radio ATB receiver and transmitter for cordless operation.

- Two-speed Auger
- Pole Grab
- Lights; cab-mounted, boom-mounted
- Starting aid, cold weather
- Tool kit
- Various track shoes
- Diesel Refuelling Pump
- Catwalk
- Vandalism Protection for cab windshield

**For other optional items, please consult manufacturer.*

FAVCO 30T

TRACKS EXTENDED
Firm Level Ground 360°

LOAD CHARTS @ 75% RATING

Radius		Boom Length feet / meter																	
Feet	Meter	∠°	28 ft	8.5 m	∠°	47 ft	14.2 m	∠°	62 ft	18.8 m	∠°	77 ft	23.3 m	∠°	92 ft	27.9 m			
5.0	1.5	79°	60,500 lbs	27.5 t															
8.0	2.4	75°	49,475 lbs	22.5 t															
10.0	3.0	70°	44,725 lbs	20.3 t	79°	22,150 lbs	10.1 t												
12.0	3.6	66°	39,200 lbs	17.8 t	76°	22,150 lbs	10.1 t	80°	20,000 lbs	9.1 t									
15.0	4.5	59°	32,225 lbs	14.6 t	73°	22,150 lbs	10.1 t	78°	18,525 lbs	8.4 t	80°	14,150 lbs	6.4 t						
20.0	6.1	45°	23,200 lbs	10.5 t	66°	21,350 lbs	9.7 t	73°	16,750 lbs	7.6 t	77°	12,975 lbs	5.9 t	80°	9,925 lbs	4.5 t			
25.0	7.6	27°	16,350 lbs	7.4 t	59°	16,725 lbs	7.6 t	68°	14,750 lbs	6.7 t	73°	11,900 lbs	5.4 t	76°	9,125 lbs	4.2 t			
30.0	9.1				52°	12,700 lbs	5.8 t	63°	12,600 lbs	5.7 t	69°	10,500 lbs	4.8 t	73°	8,300 lbs	3.8 t			
35.0	10.6				43°	10,050 lbs	4.6 t	58°	10,150 lbs	4.6 t	65°	9,325 lbs	4.2 t	70°	7,475 lbs	3.4 t			
40.0	12.1				33°	8,150 lbs	3.7 t	52°	8,275 lbs	3.8 t	61°	8,450 lbs	3.8 t	67°	6,750 lbs	3.1 t			
45.0	13.6				17°	6,750 lbs	3.1 t	45°	6,875 lbs	3.1 t	57°	6,925 lbs	3.2 t	64°	6,075 lbs	2.8 t			
50.0	15.2							38°	5,775 lbs	2.6 t	52°	5,850 lbs	2.7 t	60°	5,500 lbs	2.5 t			
55.0	16.7							29°	4,925 lbs	2.2 t	47°	4,975 lbs	2.3 t	56°	4,925 lbs	2.2 t			
60.0	18.2	Information							15°	4,200 lbs	1.9 t	41°	4,275 lbs	1.9 t	52°	4,325 lbs	2.0 t		
65.0	19.7	Load ratings above the heavy line are structurally limited capacities. Load ratings below the heavy line are stability limited capacities and do not exceed 75% of tipping.										34°	3,675 lbs	1.7 t	48°	3,825 lbs	1.7 t		
70.0	21.2													26°	3,175 lbs	1.5 t	43°	3,225 lbs	1.5 t
75.0	22.7													14°	2,750 lbs	1.3 t	38°	2,800 lbs	1.3 t
80.0	24.2									Note: ∠° Loaded Boom Angle							32°	2,425 lbs	1.1 t
85.0	25.8																25°	2,100 lbs	1.0 t
90.0	27.3												13°	1,800 lbs	0.8 t				
Boom Horizontal			9,460 lbs	4.3 t	0°	4,320 lbs	2.0 t	0°	2,470 lbs	1.1 t	0°	1,350 lbs	0.6 t	0°	600 lbs	0.3 t			

NOTICE: This capacity chart is for reference only and must not be used for lifting purposes
Meets ANSI/ASME B 30.5 and DIN 15018 DIN 15019 Requirements

FAVCO 30T

TRACKS EXTENDED
 $\leq 2^\circ$ Slope 360 $^\circ$ Rating

LOAD CHARTS @ 75% RATING

Radius		Boom Length feet / meter																	
Feet	Meter	\angle°	28 ft	8.5 m	\angle°	47 ft	14.2 m	\angle°	62 ft	18.8 m	\angle°	77 ft	23.3 m	\angle°	92 ft	27.9 m			
5.0	1.5	79 $^\circ$	56,000 lbs	25.4 t															
8.0	2.4	75 $^\circ$	45,800 lbs	20.8 t															
10.0	3.0	70 $^\circ$	41,400 lbs	18.8 t	79 $^\circ$	20,500 lbs	9.3 t												
12.0	3.6	66 $^\circ$	36,280 lbs	16.5 t	76 $^\circ$	20,500 lbs	9.3 t	80 $^\circ$	18,500 lbs	8.4 t									
15.0	4.5	59 $^\circ$	29,830 lbs	13.5 t	73 $^\circ$	20,500 lbs	9.3 t	78 $^\circ$	17,150 lbs	7.8 t	80 $^\circ$	13,100 lbs	6.0 t						
20.0	6.1	45 $^\circ$	22,080 lbs	10.0 t	66 $^\circ$	19,750 lbs	9.0 t	73 $^\circ$	15,500 lbs	7.0 t	77 $^\circ$	12,000 lbs	5.5 t	80 $^\circ$	9,180 lbs	4.2 t			
25.0	7.6	27 $^\circ$	15,550 lbs	7.1 t	59 $^\circ$	15,910 lbs	7.2 t	68 $^\circ$	13,650 lbs	6.2 t	73 $^\circ$	11,000 lbs	5.0 t	76 $^\circ$	8,430 lbs	3.8 t			
30.0	9.1				52 $^\circ$	12,080 lbs	5.5 t	63 $^\circ$	11,650 lbs	5.3 t	69 $^\circ$	9,710 lbs	4.4 t	73 $^\circ$	7,670 lbs	3.5 t			
35.0	10.6				43 $^\circ$	9,550 lbs	4.3 t	58 $^\circ$	9,660 lbs	4.4 t	65 $^\circ$	8,620 lbs	3.9 t	70 $^\circ$	6,900 lbs	3.1 t			
40.0	12.1				33 $^\circ$	7,760 lbs	3.5 t	52 $^\circ$	7,870 lbs	3.6 t	61 $^\circ$	7,810 lbs	3.6 t	67 $^\circ$	6,230 lbs	2.8 t			
45.0	13.6				17 $^\circ$	6,410 lbs	2.9 t	45 $^\circ$	6,530 lbs	3.0 t	57 $^\circ$	6,590 lbs	3.0 t	64 $^\circ$	5,620 lbs	2.6 t			
50.0	15.2							38 $^\circ$	5,490 lbs	2.5 t	52 $^\circ$	5,550 lbs	2.5 t	60 $^\circ$	5,090 lbs	2.3 t			
55.0	16.7							29 $^\circ$	4,670 lbs	2.1 t	47 $^\circ$	4,730 lbs	2.2 t	56 $^\circ$	4,540 lbs	2.1 t			
60.0	18.2	Information						15 $^\circ$	3,980 lbs	1.8 t	41 $^\circ$	4,050 lbs	1.8 t	52 $^\circ$	4,000 lbs	1.8 t			
65.0	19.7	Load ratings above the heavy line are structurally limited capacities. Load ratings below the heavy line are stability limited capacities and do not exceed 75% of tipping.									34 $^\circ$	3,490 lbs	1.6 t	48 $^\circ$	3,530 lbs	1.6 t			
70.0	21.2												26 $^\circ$	3,020 lbs	1.4 t	43 $^\circ$	3,060 lbs	1.4 t	
75.0	22.7													14 $^\circ$	2,600 lbs	1.2 t	38 $^\circ$	2,650 lbs	1.2 t
80.0	24.2							Note: \angle° Loaded Boom Angle									32 $^\circ$	2,300 lbs	1.1 t
85.0	25.8																25 $^\circ$	1,990 lbs	0.9 t
90.0	27.3																13 $^\circ$	1,710 lbs	0.8 t
Boom Horizontal			9,460 lbs	4.3 t	0 $^\circ$	4,320 lbs	2.0 t	0 $^\circ$	2,470 lbs	1.1 t	0 $^\circ$	1,350 lbs	0.6 t	0 $^\circ$	600 lbs	0.3 t			

NOTICE: This capacity chart is for reference only and must not be used for lifting purposes
Meets ANSI/ASME B 30.5 and DIN 15018 DIN 15019 Requirements

FAVCO 30T

TRACKS EXTENDED
2 – 5° Slope 360°

LOAD CHARTS @ 75% RATING

Radius		Boom Length feet / meter															
Feet	Meter	∠°	28 ft	8.5 m	∠°	47 ft	14.2 m	∠°	62 ft	18.8 m	∠°	77 ft	23.3 m	∠°	92 ft	27.9 m	
5.0	1.5	79°	36,000 lbs	16.3 t													
8.0	2.4	75°	31,350 lbs	14.2 t													
10.0	3.0	70°	28,900 lbs	13.1 t	79°	18,000 lbs	8.2 t										
12.0	3.6	66°	26,920 lbs	12.2 t	76°	17,100 lbs	7.8 t	80°	12,800 lbs	5.8 t							
15.0	4.5	59°	24,740 lbs	11.2 t	73°	16,200 lbs	7.4 t	78°	12,050 lbs	5.5 t	80°	9,180 lbs	4.2 t				
20.0	6.1	45°	20,590 lbs	9.4 t	66°	14,500 lbs	6.6 t	73°	11,000 lbs	5.0 t	77°	8,530 lbs	3.9 t	80°	5,200 lbs	2.4 t	
25.0	7.6	27°	14,510 lbs	6.6 t	59°	13,180 lbs	6.0 t	68°	10,180 lbs	4.6 t	73°	8,140 lbs	3.7 t	76°	5,150 lbs	2.3 t	
30.0	9.1				52°	11,260 lbs	5.1 t	63°	9,450 lbs	4.3 t	69°	7,630 lbs	3.5 t	73°	5,100 lbs	2.3 t	
35.0	10.6				43°	8,910 lbs	4.1 t	58°	8,820 lbs	4.0 t	65°	7,200 lbs	3.3 t	70°	5,050 lbs	2.3 t	
40.0	12.1				33°	7,230 lbs	3.3 t	52°	7,330 lbs	3.3 t	61°	6,740 lbs	3.1 t	67°	4,950 lbs	2.3 t	
45.0	13.6				17°	5,970 lbs	2.7 t	45°	6,090 lbs	2.8 t	57°	6,070 lbs	2.8 t	64°	4,770 lbs	2.2 t	
50.0	15.2							38°	5,120 lbs	2.3 t	52°	5,180 lbs	2.4 t	60°	4,360 lbs	2.0 t	
55.0	16.7							29°	4,350 lbs	2.0 t	47°	4,410 lbs	2.0 t	56°	4,000 lbs	1.8 t	
60.0	18.2	Information Load ratings above the heavy line are structurally limited capacities. Load ratings below the heavy line are stability limited capacities and do not exceed 75% of tipping.						15°	3,710 lbs	1.7 t	41°	3,780 lbs	1.7 t	52°	3,680 lbs	1.7 t	
65.0	19.7										34°	3,260 lbs	1.5 t	48°	3,290 lbs	1.5 t	
70.0	21.2										26°	2,810 lbs	1.3 t	43°	2,850 lbs	1.3 t	
75.0	22.7										14°	2,430 lbs	1.1 t	38°	2,470 lbs	1.1 t	
80.0	24.2														32°	2,140 lbs	1.0 t
85.0	25.8														25°	1,860 lbs	0.9 t
90.0	27.3														13°	1,600 lbs	0.7 t
Boom Horizontal			9,460 lbs	4.3 t	0°	4,320 lbs	2.0 t	0°	2,470 lbs	1.1 t	0°	1,350 lbs	0.6 t	0°	600 lbs	0.3 t	

NOTICE: This capacity chart is for reference only and must not be used for lifting purposes
Meets ANSI/ASME B 30.5 and DIN 15018 DIN 15019 Requirements

FAVCO 30T

TRACKS RETRACTED
 $\leq 2^\circ$ Slope 360 $^\circ$ Rating

LOAD CHARTS @ 75% RATING

Radius		Boom Length feet / meter																	
Feet	Meter	\angle°	28 ft	8.5 m	\angle°	47 ft	14.2 m	\angle°	62 ft	18.8 m	\angle°	77 ft	23.3 m	\angle°	92 ft	27.9 m			
5.0	1.5	79 $^\circ$	56,000 lbs	25.4 t															
8.0	2.4	75 $^\circ$	45,800 lbs	20.8 t															
10.0	3.0	70 $^\circ$	38,410 lbs	17.4 t	79 $^\circ$	20,500 lbs	9.3 t												
12.0	3.6	66 $^\circ$	28,480 lbs	12.9 t	76 $^\circ$	20,500 lbs	9.3 t	80 $^\circ$	18,500 lbs	8.4 t									
15.0	4.5	59 $^\circ$	20,160 lbs	9.2 t	73 $^\circ$	20,470 lbs	9.3 t	78 $^\circ$	17,150 lbs	7.8 t	80 $^\circ$	13,100 lbs	6.0 t						
20.0	6.1	45 $^\circ$	13,080 lbs	5.9 t	66 $^\circ$	13,380 lbs	6.1 t	73 $^\circ$	13,480 lbs	6.1 t	77 $^\circ$	12,000 lbs	5.5 t	80 $^\circ$	9,180 lbs	4.2 t			
25.0	7.6	27 $^\circ$	9,300 lbs	4.2 t	59 $^\circ$	9,620 lbs	4.4 t	68 $^\circ$	9,710 lbs	4.4 t	73 $^\circ$	9,760 lbs	4.4 t	76 $^\circ$	8,430 lbs	3.8 t			
30.0	9.1				52 $^\circ$	7,280 lbs	3.3 t	63 $^\circ$	7,370 lbs	3.4 t	69 $^\circ$	7,420 lbs	3.4 t	73 $^\circ$	7,460 lbs	3.4 t			
35.0	10.6				43 $^\circ$	5,680 lbs	2.6 t	58 $^\circ$	5,780 lbs	2.6 t	65 $^\circ$	5,830 lbs	2.7 t	70 $^\circ$	5,860 lbs	2.7 t			
40.0	12.1				33 $^\circ$	4,520 lbs	2.1 t	52 $^\circ$	4,630 lbs	2.1 t	61 $^\circ$	4,680 lbs	2.1 t	67 $^\circ$	4,710 lbs	2.1 t			
45.0	13.6				17 $^\circ$	3,630 lbs	1.7 t	45 $^\circ$	3,750 lbs	1.7 t	57 $^\circ$	3,800 lbs	1.7 t	64 $^\circ$	3,830 lbs	1.7 t			
50.0	15.2							38 $^\circ$	3,060 lbs	1.4 t	52 $^\circ$	3,110 lbs	1.4 t	60 $^\circ$	3,150 lbs	1.4 t			
55.0	16.7							29 $^\circ$	2,500 lbs	1.1 t	47 $^\circ$	2,560 lbs	1.2 t	56 $^\circ$	2,590 lbs	1.2 t			
60.0	18.2	Information						15 $^\circ$	2,030 lbs	0.9 t	41 $^\circ$	2,100 lbs	1.0 t	52 $^\circ$	2,140 lbs	1.0 t			
65.0	19.7	Load ratings above the heavy line are structurally limited capacities. Load ratings below the heavy line are stability limited capacities and do not exceed 75% of tipping.									34 $^\circ$	1,750 lbs	0.8 t	48 $^\circ$	1,760 lbs	0.8 t			
70.0	21.2												26 $^\circ$	1,390 lbs	0.6 t	43 $^\circ$	1,430 lbs	0.7 t	
75.0	22.7												14 $^\circ$	1,110 lbs	0.5 t	38 $^\circ$	1,150 lbs	0.5 t	
80.0	24.2									Note: \angle° Loaded Boom Angle							32 $^\circ$	910 lbs	0.4 t
85.0	25.8																25 $^\circ$	690 lbs	0.3 t
90.0	27.3												13 $^\circ$	500 lbs	0.2 t				
Boom Horizontal			7,960 lbs	3.6 t	0 $^\circ$	3,390 lbs	1.5 t	0 $^\circ$	1,900 lbs	0.9 t	0 $^\circ$	1,020 lbs	0.5 t	0 $^\circ$	440 lbs	0.2 t			

NOTICE: This capacity chart is for reference only and must not be used for lifting purposes
Meets ANSI/ASME B 30.5 and DIN 15018 DIN 15019 Requirements

LOAD CHART INFORMATION

REEVING DIAGRAM

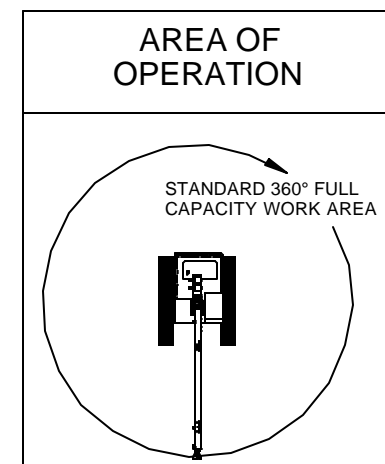
FAVCO

- The operator must read and understand the owner's manual before operating this crane.
- Positioning or operation of crane beyond areas shown on operating range diagram is not intended or approved except where specified in owner's manual.
- Loaded boom angles at specified boom lengths give only an approximation of the actual operating radius. The boom angle before loading should be greater to account for deflections and not exceed the operating radius for rated loads.
- For boom angles not shown on load rating chart, use rating of next lower boom angle.
- For boom lengths now shown, use rating of next shorter or longer boom length, whichever is less. For radii not shown, use rating of next longer radius.
- Crane load ratings are based upon freely suspended loads with the machine on a firm uniform supporting surface at a terrain slope not greater than stated on the chart and shall not exceed 5 degrees. Consult the appropriate load chart to determine crane load ratings based upon stationary or pick and carry operations, tracks extended or retracted, optional jib installation, and terrain slope. Travel speeds for pick and carry should be reduced for boom lengths greater than 60 feet (18.3m). No attempt shall be made to move a load horizontally on the ground in any direction.
- Travel speed with a load suspended from the hook must be restricted by the operator who must consider the weight, length and terrain.
- Use of a jib is permitted only on a terrain slope not greater than 0.5 degrees and is limited to the tracks extended configuration. No pick and carry operations are permitted with the load suspended from the jib tip.
- Operation with the tracks retracted is limited to a terrain slope not greater than 2 degrees.
- Practical working loads depend on supporting surface, wind, and other factors affecting stability such as hazardous surroundings, experience of personnel, and proper handling, all of the above must be taken into account by the operator.
- The maximum load which may be telescoped is limited by hydraulic pressure, boom angle, and boom lubrication. It is safe to attempt to telescope any load within the limits of the load rating chart.
- Do not operate crane if winds are over 35 miles/hour (56 kilometers/hour).
- Rigging mode is accessible through L.M.I.
- Track mounted counterweights must be installed when crane is operational.
- Deductions must be made from rated loads for optional attachments, hooks and load blocks (see load handling information chart). Weights of slings and all other load handling devices shall be considered as a part of the load.
- The L.M.I. Will prevent picking of load when the terrain slope is greater than 5 degrees.
- Load ratings above the heavy line are structurally limited capacities. Load ratings below the heavy line are stability limited capacities and do not exceed 75% of tipping.
- Operating radius is horizontal distance from the center of rotation to the center of the vertical hoist line or tackle with load applied.
- Loaded boom angle as shown in the column headed by \angle^0 is the included angle between the horizontal and the longitudinal axes of the boom base after lifting rated load at rated radius.

DEDUCTIONS FROM RATED LOADS FOR FAVELLE FAVCO SUPPLIED LOAD HANDLING

AUXILIARY BLOCK	-----	50 lbs / (23 kg)
AUXILIARY SHEAVE	-----	50 lbs / (23 kg)
OVERHAUL BALL	-----	See Overhaul Manufacturer Nameplate
LOAD BLOCK	-----	See Block Manufacturer Nameplate
HOSE REEL	-----	140 lbs / (64 kg)
JIB with GLOVE & PINS	-----	580 lbs / (263 kg)
AUXILIARY BOOM NOSE	-----	181 lbs / (82 kg)

30T- ALLOWABLE LINE PULL								WARNING
1 PART LINE	2 PART LINE	3 PART LINE	4 PART LINE	5 PART LINE	6 PART LINE	7 PART LINE	8 PART LINE	
								ANTI-TWO-BLOCK SYSTEM MUST BE IN GOOD OPERATING CONDITION BEFORE OPERATING CRANE. REFER TO THE OWNER'S MANUAL KEEP AT LEAST 3 WRAPS OF LOAD LINE ON THE WINCH DRUM AT ALL TIMES
8500 lb (4 t)	17000 lb (8 t)	25500 lb (12 t)	34000 lb (15 t)	42500 lb (19 t)	51000 lb (23 t)	59500 lb (27 t)	68000 lb (31 t)	
8288 lb (3.75 t)	16571 lb (7.52 t)	24867 lb (11.28t)	33156 lb (15.04t)	41446 lb (18.8 t)	49734 lb (22.56 t)	58023 lb (26.32 t)	66312 lb (29.9 t)	9/16" (14mm) D125 TIBC (3.51 SF)-29750 lb / (13t) MIN BREAKING STRENGTH 9/16" (14mm) D177 RESISTANT (5.01 SF)-44448 lb / (19.9 t) MIN BREAKING STRENGTH

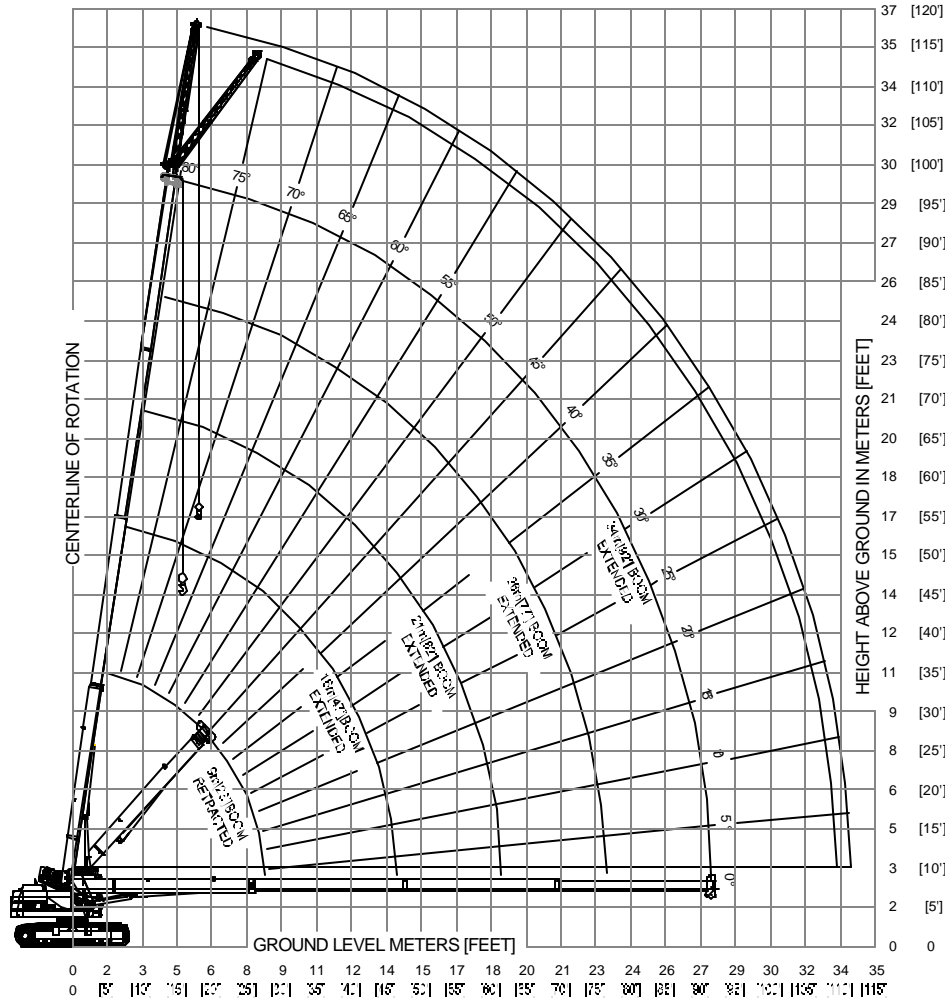


BASIC UNIT WEIGHT: 66,660 lbs.

FAVCO 30T

MAIN BOOM WITH 20 ft (6.0 m) OFFSET JIB

30T OPERATING RADIUS FROM CENTERLINE OF ROTATION IN METERS / IFEETI



SWING AROUND JIB CAPACITIES LBS/METRIC TONS FIRM LEVEL GROUND / TRACKS EXTENDED 20 FOOT (6 METER) OFFSET BASED UPON FULLY EXTENDED BOOM

Boom Angle (Degrees)	On Firm Level Ground Jib Offset Angle (Degrees)					
	0°		15°		30°	
	80°	5000 lb	2.27 t	2715 lb	1.23 t	1970 lb
78°	4450 lb	2.02 t	2600 lb	1.18 t	1925 lb	0.87 t
75°	3860 lb	1.75 t	2390 lb	1.08 t	1830 lb	0.83 t
70°	3175 lb	1.44 t	2150 lb	0.98 t	1720 lb	0.78 t
65°	2715 lb	1.23 t	1970 lb	0.89 t	1630 lb	0.74 t
60°	2390 lb	1.08 t	1830 lb	0.83 t	1570 lb	0.71 t
55°	2150 lb	0.98 t	1720 lb	0.78 t	1515 lb	0.69 t
50°	1970 lb	0.89 t	1630 lb	0.74 t	1480 lb	0.67 t
45°	1830 lb	0.83 t	1570 lb	0.71 t	1450 lb	0.66 t
40°	1720 lb	0.78 t	1515 lb	0.69 t	1435 lb	0.65 t
35°	1570 lb	0.71 t	1480 lb	0.67 t	1430 lb	0.65 t
30°	1430 lb	0.65 t	1385 lb	0.63 t	1310 lb	0.59 t
25°	1275 lb	0.58 t	1250 lb	0.57 t		
20°	1140 lb	0.52 t	1120 lb	0.51 t		
15°	1020 lb	0.46 t	1020 lb	0.46 t		
10°	925 lb	0.42 t				
5°	875 lb	0.40 t				
0°	825 lb	0.37 t				

INFORMATION

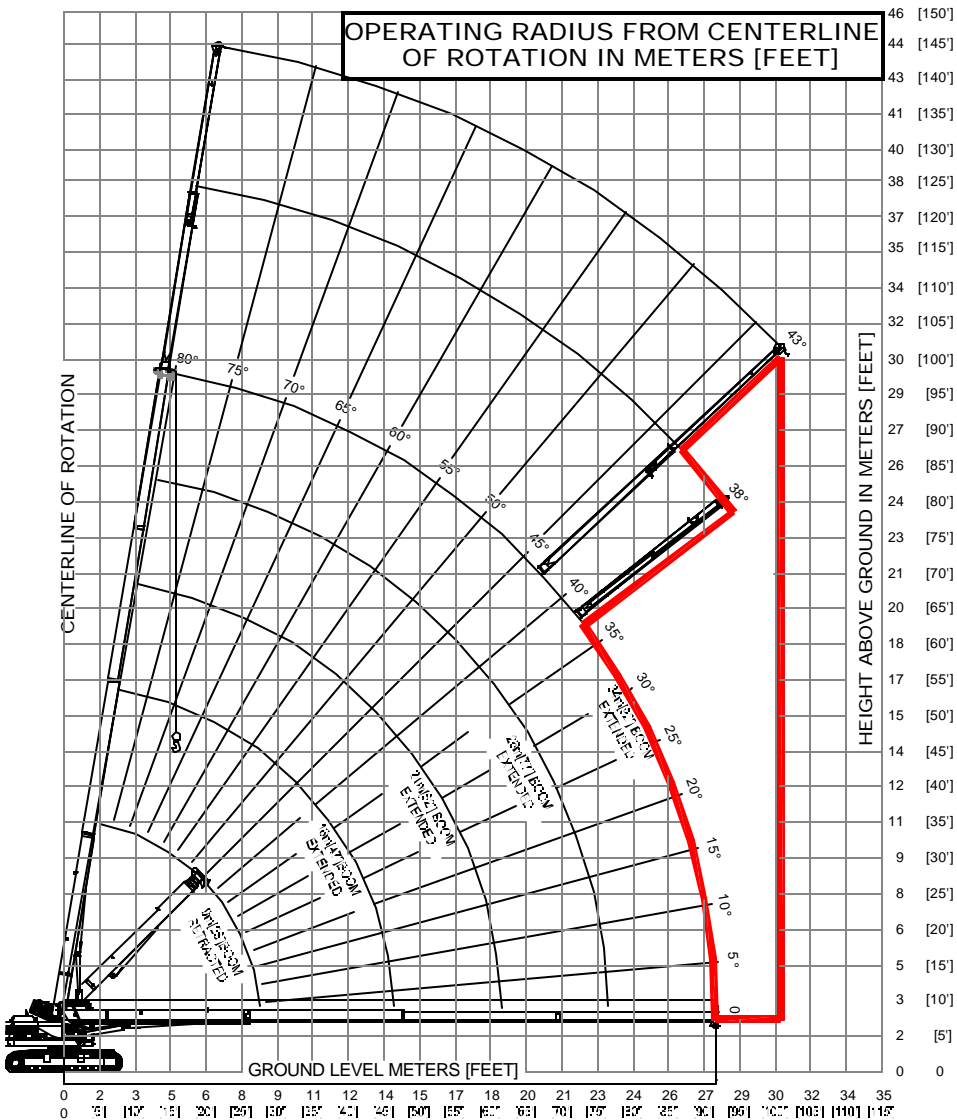
Load ratings above the heavy line are structurally limited capacities. Load ratings below the heavy line are stability limited capacities and do not exceed 75% of tipping.
NOTICE: This capacity chart is for reference only and must not be used for lifting purposes

Meets ANSI/ASME B 30.5 and DIN 15018 DIN 15019 Requirements

FAVCO 30T

MAIN BOOM WITH
26ft to 46 ft (7.9m to 13.9m) TELESCOPIC JIB

30T OPERATING RADIUS FROM CENTERLINE OF ROTATION IN METERS / IFEETI



SWING AROUND JIB CAPACITIES LBS/METRIC TONS FIRM LEVEL GROUND / TRACKS EXTENDED 26 FT TO 46 FT (7.9M TO 13.9M) NON-OFFSET BASED UPON FULLY EXTENDED BOOM

ON FIRM LEVEL GROUND										
FIXED JIB					TELESCOPIC JIB					
Operating Radius		Loaded Boom Angle			Loaded Boom Angle	RETRACTED		Loaded Boom Angle	EXTENDED	
Feet	Meter		°			°	26 ft		7.9 m	°
15	4.5									
20	6.1									
25	7.6	79	5,040 lbs	2.29 t	79	4,860 lbs	2.21 t			
30	9.1	77	4,770 lbs	2.17 t	77	4,590 lbs	2.09 t	79	3,060 lbs	1.39 t
35	10.6	75	4,464 lbs	2.03 t	75	4,230 lbs	1.92 t	77	2,970 lbs	1.35 t
40	12.1	72	4,041 lbs	1.84 t	72	3,807 lbs	1.73 t	76	2,880 lbs	1.31 t
45	13.6	70	3,672 lbs	1.67 t	70	3,438 lbs	1.56 t	74	2,736 lbs	1.25 t
50	15.2	67	3,339 lbs	1.52 t	67	3,096 lbs	1.41 t	72	2,520 lbs	1.15 t
55	16.7	65	3,042 lbs	1.39 t	65	2,790 lbs	1.27 t	69	2,367 lbs	1.08 t
60	18.2	62	2,772 lbs	1.26 t	62	2,529 lbs	1.15 t	67	2,232 lbs	1.02 t
65	19.7	59	2,538 lbs	1.16 t	59	2,286 lbs	1.04 t	65	2,079 lbs	0.95 t
70	21.2	56	2,223 lbs	1.01 t	56	1,962 lbs	0.90 t	63	1,899 lbs	0.87 t
75	22.7	53	1,863 lbs	0.85 t	53	1,593 lbs	0.73 t	60	1,746 lbs	0.80 t
80	24.2	50	1,548 lbs	0.71 t	50	1,287 lbs	0.59 t	58	1,593 lbs	0.73 t
85	25.8	46	1,278 lbs	0.58 t	46	1,017 lbs	0.47 t	55	1,422 lbs	0.65 t
90	27.3	42	1,044 lbs	0.48 t	42	783 lbs	0.36 t	52	1,188 lbs	0.54 t
95	28.8	38	837 lbs	0.38 t	38	567 lbs	0.26 t	49	972 lbs	0.45 t
100	30.3							46	783 lbs	0.36 t
105	31.8							43	612 lbs	0.28 t

INFORMATION

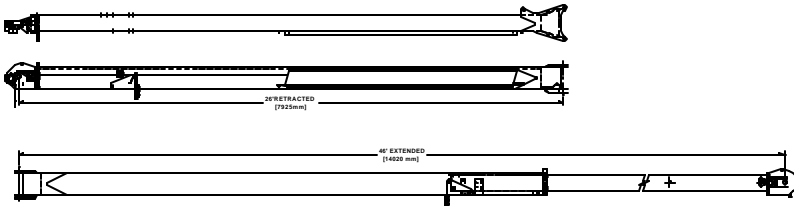
Load ratings above the heavy line are structurally limited capacities. Load ratings below the heavy line are stability limited capacities and do not exceed 75% of tipping.

NOTICE: This capacity chart is for reference only and must not be used for lifting purposes

Meets ANSI/ASME B 30.5 and DIN 15018 DIN 15019 Requirements

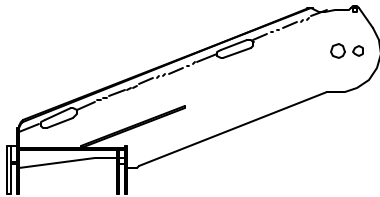
DIMENSIONS

FAVCO 30T



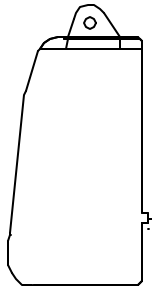
TELESCOPIC JIB

LENGTH	7925 mm	26 ft	Retracted
	14020 mm	46 ft	Extended
WIDTH	539mm		1ft 9.25 in
HEIGHT	404 mm		1 ft 4 in
WEIGHT	589 kg		1300 lbs



OFFSET SHEAVE

LENGTH	1405 mm	4 ft 7.5 in
WIDTH	539 mm	1 ft 9.25 in.
HEIGHT	730 mm	2 ft 5 in
WEIGHT	82 kg	181 lbs



COUNTERWEIGHT

LENGTH	2740 mm	9 ft
WIDTH	549 mm	1 ft 9.5 in.
HEIGHT	1125 mm	3 ft 8.25 in
WEIGHT	5250 kg	11575 lbs

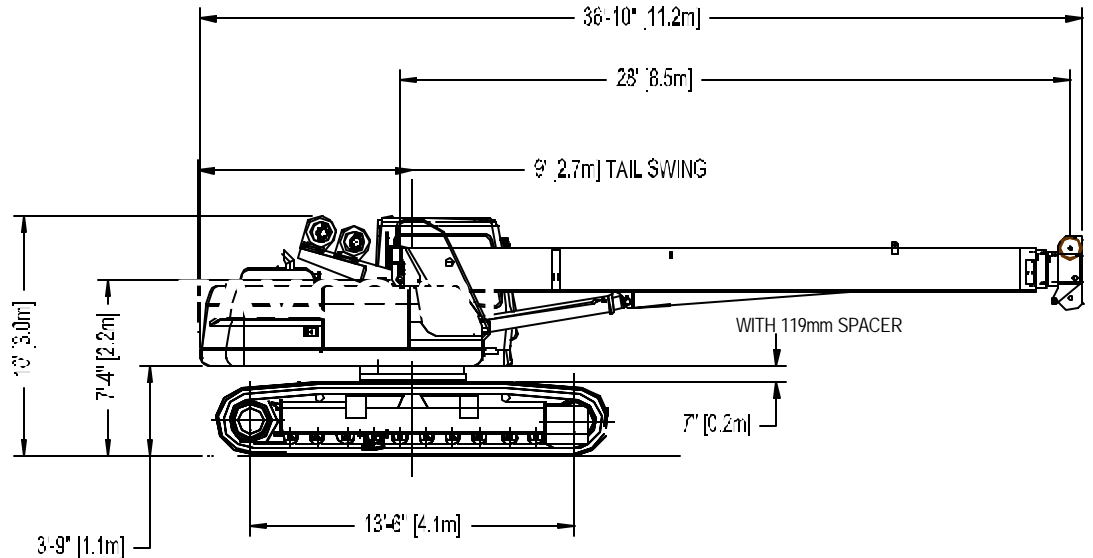
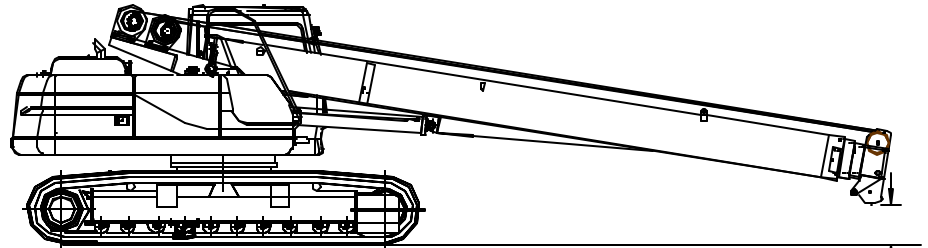
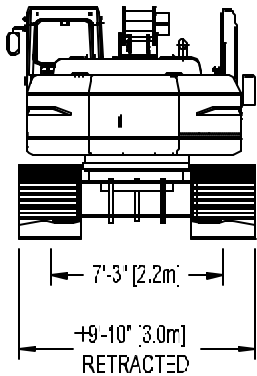
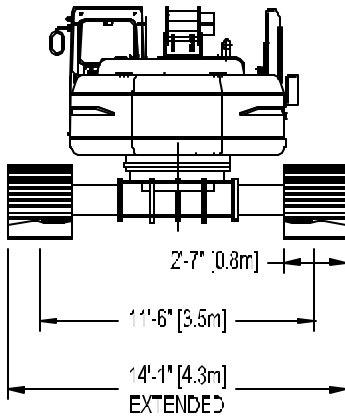


OFFSET JIB

LENGTH	588 mm	18 ft 4in
WIDTH	250 mm	10 in.
HEIGHT	323 mm	1 ft 0.75 in
WEIGHT	308 kg	680 lbs

DIMENSIONS

FAVCO 30T



**FAVELLE
FAVCO**
The Cranemakers

FAVELLE FAVCO CRANES USA, INC
4 Mile East, FM 106, PO Box 3049
Harlingen, Texas 78551-3049 USA
Tel: (956) 428-7488
Fax: (956) 428-7749
Email: sales@favcousa.com

www.favellefavco.com

Dealer:

Malaysia Tel: +603 3373-7835 Fax: +603 3373-7830 Email: admin@ffc.po.my
Australia Tel: +612 9608-2000 Fax: +612 9607-0022 Email: favcosyd@favellefavco.com.au
Singapore Tel: +65 366-3508 Fax: +65 366-3503 Email: favelle@singnet.com.sg
London Tel: +44 20 7016-9701 Fax: +44 20 7016-9100 Email: favcokroll@aol.com
Denmark Tel: +45 4818-7400 Fax: +45 4818-8807 Email: krollcranes@krollcranes.dk
Thailand Tel: +66 2261-0580 Fax: +66 2259-1537 Email: favco@bkk4.loxinfo.co.th

Note: All charts and specifications are for information only and should not be used for lifting purposes. Continuous engineering and improvements makes it necessary that we reserve the right to make specification, equipment and price changes without notice.